



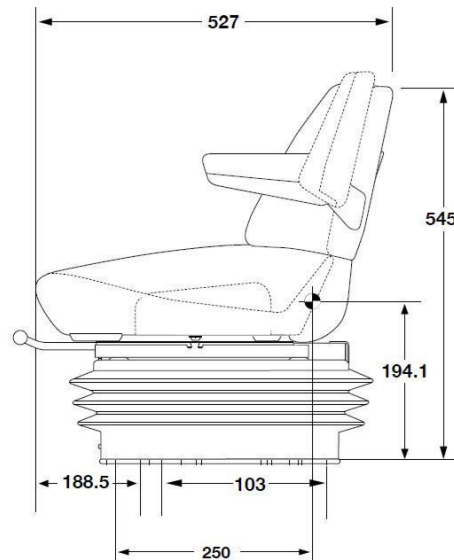
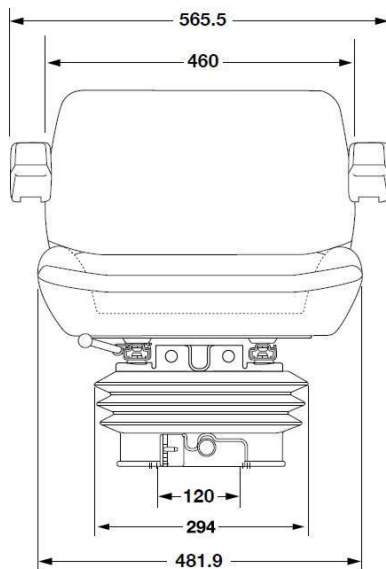
# KAB 15/U4

## SPECIFICATION SHEET

**CAPITAL**seating

### Air 15/U4 Airmaster

- Air 15 suspension
- Low back U4 upper
- Optional 2" recoil seat belt
- 150mm suspension stroke
- 70mm integral height adjustment
- Driver weight range 50-120kg
- 12v integral compressor



#### Options:

- Horizontal suspension
- Static or retractable lap belt
- Waterproof protective seat cover

Unit 1, Forward Park, Sheene Road, Leicester,  
LE4 1BF, United Kingdom  
Tel: +44 (0)116 216 9910  
Web: [www.capitalseating.co.uk](http://www.capitalseating.co.uk)  
Email: [sales@capitalseating.co.uk](mailto:sales@capitalseating.co.uk)