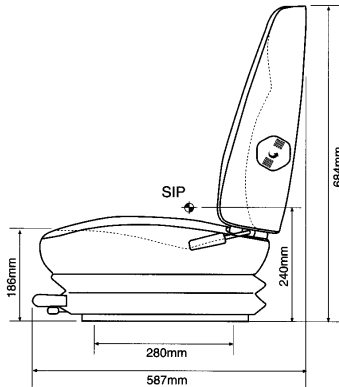
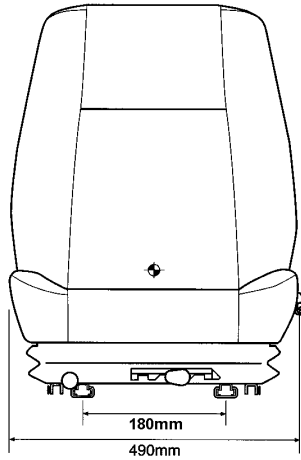




KAB 21/T1

SPECIFICATION SHEET

CAPITALseating



Standard features:

- 50mm vertical suspension stroke
- 5 step adjustment for driver weight from 50-120Kg
- Fore and aft adjustment – 210mm
- Lumbar support
- Backrest angle adjustment
- Black breathable PVC trim
- Suspension cover

Options:

- Static or retractable lap belt
- Adjustable pivoting armrests
- Sensor pad
- Microswitch
- Low profile suspension
- Range of fabric or PVC trims

Specification based on part no. 169632 – dimensions, standard features and options on other models of the 21/T1 may vary.

Unit 1, Forward Park, Sheene Road, Leicester,
LE4 1BF, United Kingdom
Tel: +44 (0)116 216 9910
Web: www.capitalseating.co.uk
Email: sales@capitalseating.co.uk