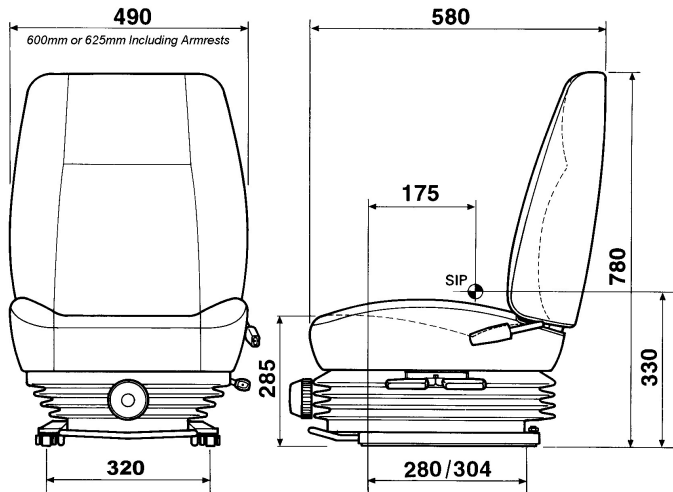




KAB 411

SPECIFICATION SHEET

CAPITALseating



Standard Features:

- 100mm vertical suspension stroke
- Manual adjustment for driver weight from 50-120kg
- 60 mm seat height and tilt adjustment
- 5 position mechanical lumbar support
- Backrest angle adjustment
- Fore and aft adjustment – 160mm
- Charcoal fabric seat covers
- Suspension cover
- Brackets to alter slide rail mounting centres to 216/255/280/305mm

Options:

- 75mm vertical suspension stroke
- Adjustable pivoting armrests
- Static or retractable lap belt
- Narrow seat option – 460mm overall width
- Headrest
- Front controls
- Suspension lockout
- Range of high quality fabric or PVC trims

Specification based on part no. 150643 – standard features and options on other models of the 411 may vary.

Unit 1, Forward Park, Sheene Road, Leicester,
LE4 1BF, United Kingdom
Tel: +44 (0)116 216 9910
Web: www.capitalseating.co.uk
Email: sales@capitalseating.co.uk