

KAB//Seating



65K4C With 4pt Seat Belt

OVERVIEW

The 65/K4C offers adjustable damping and superior comfort features to improve the overall ride for the user. Additional to damping and fore/aft adjustment, the seat also includes heater and mechanical lumbar.

Suitable for a wide range of construction vehicles, the 65/K4C is equipped with a headrest, armrests and 4 point seat belt.



Suitable for Construction



SPECIFICATION

Range	600 Series	Model	65/K4C	Backrest Height	High
Seat Cushion Depth and Tilt	Adjustable	Trim Type	Fabric	Trim Colour	Black/Grey
Seat Belt	Yes	Seat Belt Type	4pt	Headrest	Yes
Rest Type	Headrest	Armrest	Yes	Heaters	Yes
Lumbar	Yes	Lumbar Type	Mechanical	Document Storage	Yes
Suspension Type	Air	Seat Voltage	24V	Damper	Standard
F/A Adjustment	Yes	Air System	Compressor	Control Position	L/H
Floor Mounting Centres - Lateral	280	Floor Mounting Centres - Fore/Aft	280		

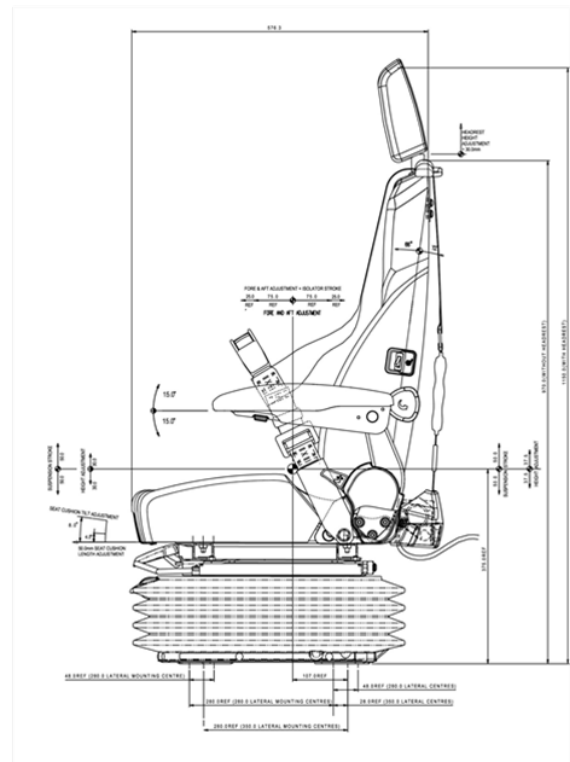
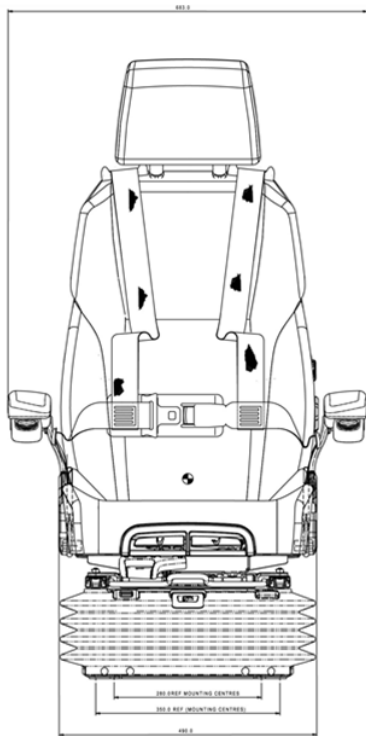
CONTACT YOUR NEAREST KAB SEATING DISTRIBUTOR FOR MORE INFORMATION

KAB//Seating



65K4C With 4pt Seat Belt

DIMENSIONS



CONTACT YOUR NEAREST KAB SEATING DISTRIBUTOR FOR MORE INFORMATION

KAB Seating Ltd

Round Spinney
Northampton
NN3 8RS

T +44 (0) 1604 790500
F +44 (0) 1604 790155
E info@cvgrp.com