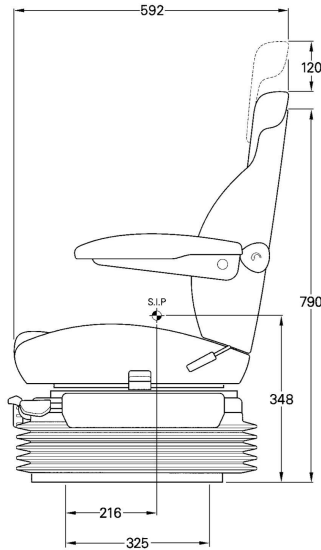
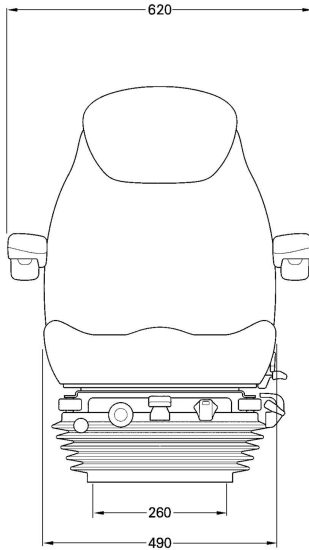




KAB 85/E1

SPECIFICATION SHEET

CAPITALseating



Standard Features:

- Air suspension with a 12V integral compressor
- 175mm vertical air suspension stroke with integral 75mm height adjustment
- Adjustment for driver weight from 50-120Kg
- Swivel - $\pm 10^\circ$ and $\pm 20^\circ$
- Horizontal suspension
- Variable up-stop
- Fore and aft adjustment – 160mm
- Lumbar support
- Integrated backrest extension
- Backrest angle adjustment
- Armrests
- Seat tilt adjustment – 3 positions
- Suspension cover

Options:

- Variable damper
- Static or retractable lap belt
- Waterproof protective seat cover

Specification based on part no. 183784 – standard and optional features on other models of the 85/E1 may vary.

Unit 1, Forward Park, Sheene Road, Leicester,
LE4 1BF, United Kingdom
Tel: +44 (0)116 216 9910
Web: www.capitalseating.co.uk
Email: sales@capitalseating.co.uk