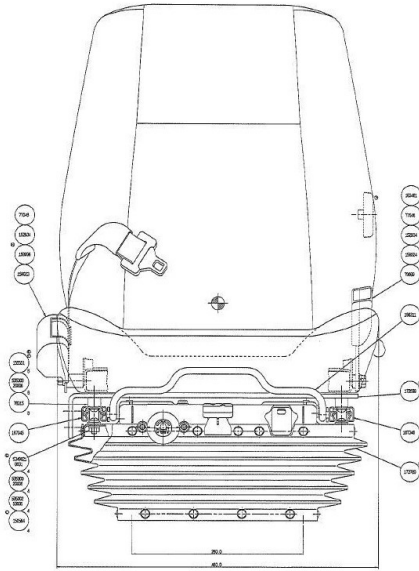
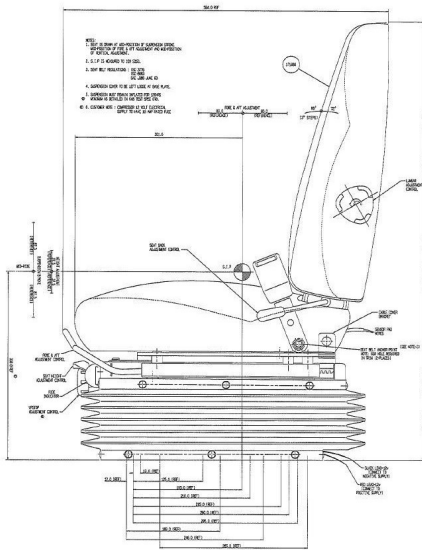




# KAB 851

## SPECIFICATION SHEET

**CAPITAL**seating



### Standard features:

- 12V air suspension
- 175mm vertical suspension stroke
- 75mm integral height adjustment
- Weight adjustment 50-120Kg
- One-touch riser
- Fore and aft adjustment
- Blank mounting plate for mounting of vehicle control arm
- Lumbar support
- Operation presence switch
- Backrest angle adjustment
- Retractable Lap Belt

### Options:

- Armrests
- Headrest

Unit 1, Forward Park, Sheene Road, Leicester,  
LE4 1BF, United Kingdom  
Tel: +44 (0)116 216 9910  
Web: [www.capitalseating.co.uk](http://www.capitalseating.co.uk)  
Email: [sales@capitalseating.co.uk](mailto:sales@capitalseating.co.uk)