

KAB//Seating



564 Seat

OVERVIEW

The KAB 564 air suspension seat offers a high degree of support for operators of large industrial vehicles. The 564 is available in a hard wearing fabric trim and is suitable for fitment into construction vehicles with 24V supply



Suitable for Construction



SPECIFICATION

Range	500 Series	Model	564	Backrest Height	High
Seat Cushion Depth and Tilt	Fixed	Trim Type	Fabric	Trim Colour	Black/grey
Seat Belt	Yes	Seat Belt Type	2pt	Heaters	Yes
Lumbar	Yes	Lumbar Type	Mechanical	Suspension Type	Air
Seat Voltage	24V	Height Riser	Yes	Damper	Heavy Duty
F/A Adjustment	Yes	Air System	DIRECT	Control Position	L/H
Floor Mounting Centres - Lateral	305	Floor Mounting Centres - Fore/Aft	280		

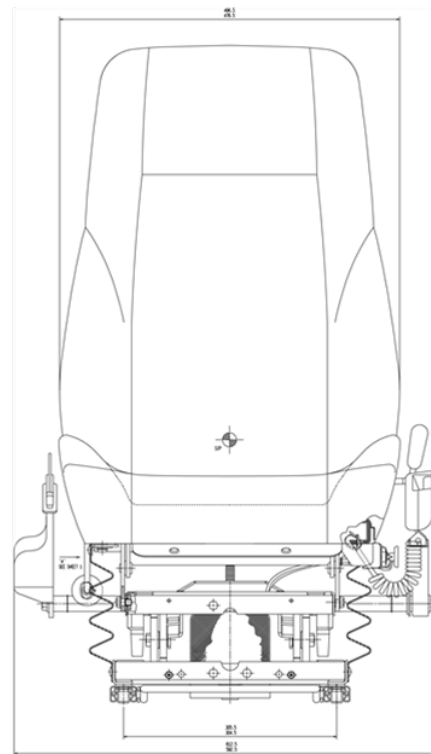
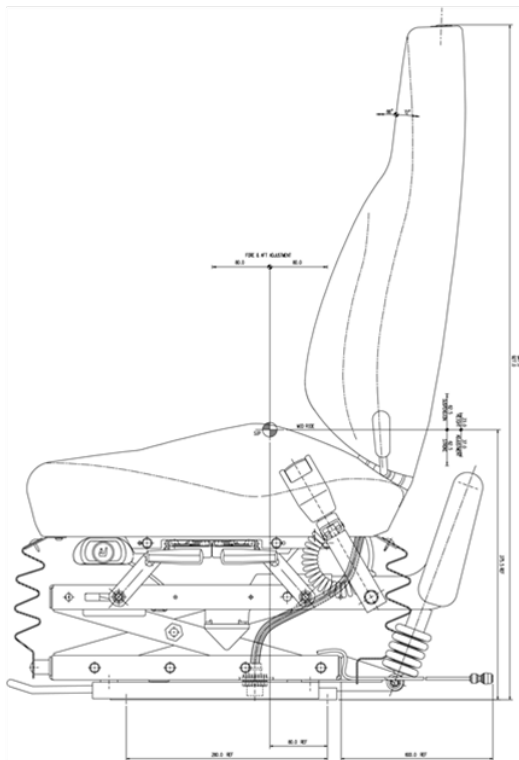
CONTACT YOUR NEAREST KAB SEATING DISTRIBUTOR FOR MORE INFORMATION

KAB//Seating



564 Seat

DIMENSIONS



CONTACT YOUR NEAREST KAB SEATING DISTRIBUTOR
FOR MORE INFORMATION

KAB Seating Ltd

Round Spinney
Northampton
NN3 8RS

T +44 (0) 1604 790500
F +44 (0) 1604 790155
E info@cvgrp.com