

KAB//Seating



Manager Office Chair

OVERVIEW

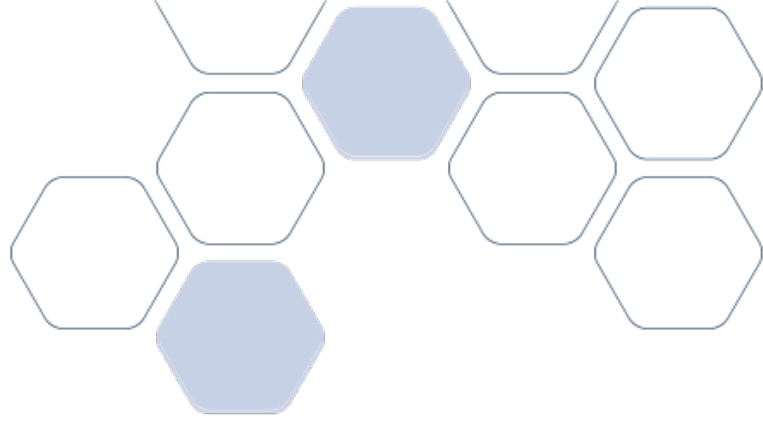
The Manager offers ergonomic support at affordable price. This mid-back chair offers all of the core adjustable features of the office chair range and it is suitable for a range of office applications.



SPECIFICATION

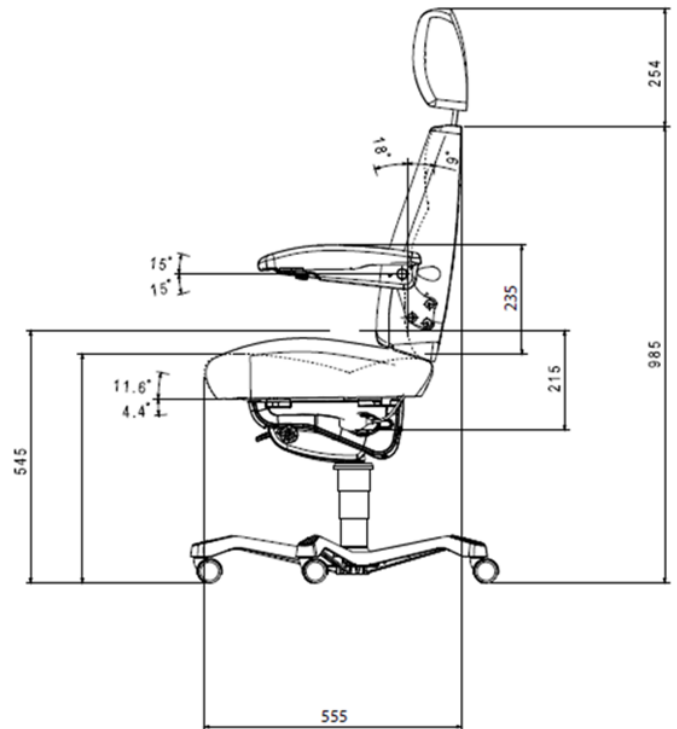
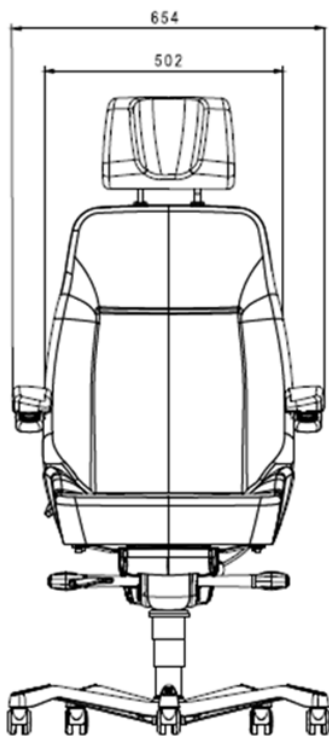
Range	Office Range
Model	Manager
Backrest Height	MID
Seat Cushion Depth	Fixed
Seat Cushion Tilt	Fixed
Headrest Type	Standard Headrest
Adjustable Armrests	✓
Manual Air Lumbar	✓
Height Adjustment	✓
Tilt And Rocker	✓

KAB//Seating



Manager Office Chair

DIMENSIONS



CONTACT YOUR NEAREST KAB SEATING DISTRIBUTOR
FOR MORE INFORMATION

KAB Seating Ltd

Round Spinney
Northampton
NN3 8RS

T +44 (0) 1604 790500
F +44 (0) 1604 790155
E infouk@cvgrp.com